

manufactured by **abg**
International

vectra

Turret Rewinders



ECTR | HDTR | SGTR AutoSet

Over 60 years of heritage and innovation create the **perfect finish**

Your customers depend on you to deliver the very highest quality, in full and on time. Nothing else will do. Your reputation depends on it and our equipment will not let you down.

How can we be sure? That's easy. Our equipment is unrivalled because it has been tried and tested over 60 years.

We have been manufacturing innovative print finishing equipment for over 60 years, and our technology has been perfected with our customers' feedback.

It is only by having equipment out there, across the world, working hard for our customers day in day out, that we can understand how to make it better. It is an evolutionary process that takes place over many years, and there are no shortcuts.

The fact that we have been designing and developing finishing equipment for so long, and that we have installed 11,000 machines worldwide for 2,500 customers, speaks for itself.

Our foundations are solid, our technology is proven and our customers return for more. All of this means that you can invest with confidence. It helps too that we are a friendly, family run but global business that cares about its customers and is determined to help them succeed.



A new world of finishing



Turret Rewinders

Our range of Vectra turret rewinders is the most advanced in the world.

Developed over many years by working closely with our customers to meet individual requirements, their design, engineering and capability have been tried, tested and proven.

Able to work in-line, or off-line as a stand-alone solution with a separate unwind module, Vectra turret rewinders enable you to finish your customers' jobs quickly, offer shorter lead times, reduce your inventory to improve cash flow and cut waste. Servo driven and with accurate tension control, they are smooth, reliable and capable of handling a wide range of substrates including delicate, perforated or punched products.

Vectra turret rewinders can be tailored to meet individual needs and create a clear, competitive advantage for any business.

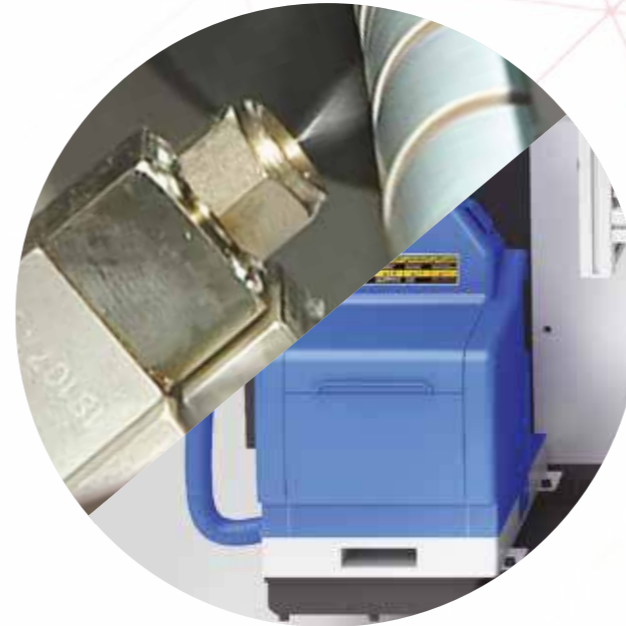
ECTR



HDTR



SGTR AutoSet



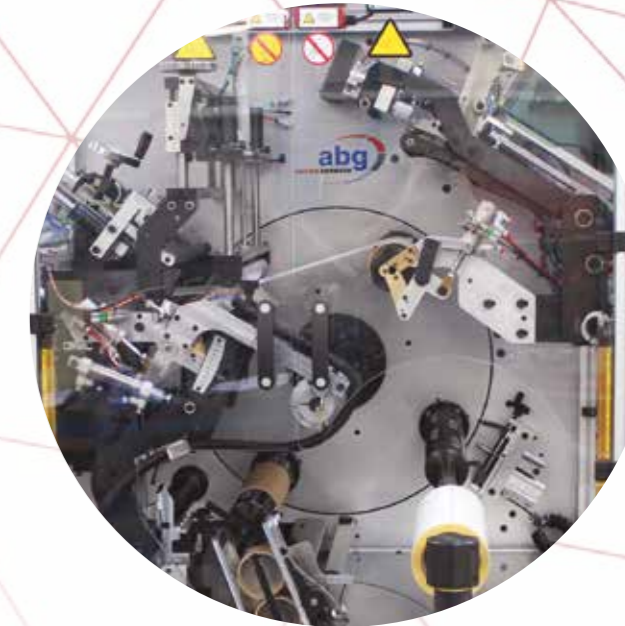
Nordson Hot Melt Gluing

A programmable system which allows the operator to set up the core gluing in seconds, which is applied via a spray system.



Print and Apply

Close your rolls without the need for hot melt glue by using a label that can be blank or printed as required.



Closed Loop Tension Control

We believe the closed loop tension control on Vectra turret rewinders is the best in the world! This is demonstrated by the range of materials, including perforated materials, that can be rewound perfectly.

All our turret rewinders are available in three web widths: 330mm, 430mm and 530mm





ECTR

The Vectra ECTR is our entry level, 4 spindle turret rewriter, which is perfect for rewinding standard self-adhesive labels.

It is also fully upgradable with a wide range of options, including automatic core loading, finished roll closure with print and apply label application, and our own fleyeVision 100% camera inspection system.



HDTR

The HDTR is a 4 spindle turret rewriter, specifically designed to rewind large diameter heavy rolls.

Capable of rewinding finished rolls of up to 500mm in diameter, it can run in-line with a range of roll-to-roll printing presses, without any mechanical or electrical interfacing, as with all the Vectra range.

A large variety of core sizes are available from 25mm to 150mm (1" - 6").





SGTR AutoSet

Over the last 20 years, we have pioneered the development of glueless turret rewinders and today, our Vectra SGTR remains unchallenged in the market place.

With fully automatic changeover, the Vectra SGTR AutoSet saves hours of costly set up and changeover time. Simply enter the outside core diameter into the system's intuitive touchscreen, and all the mechanical positions will be precisely set up – ready for the next job.

The SGTR holds the substrate to the cores, at the start of a new roll without stopping or slowing down the converting equipment. In addition, it can be fitted with a print and apply label applicator to close the finished roll with a label. Quick, fast and clean, it is especially suitable for rewinding labels which have been printed on heat sensitive substrates, or using heat sensitive inks, finishes or decorations.

The Vectra SGTR AutoSet is a Community Registered Design.



The AutoSet is also available as an option on the Digicon Series 3, allowing digitally printed labels to be finished completely in one process.





Additional Equipment

The versatility of the VECTRA range allows customers to maximise production by selecting modules that exactly match their requirements.



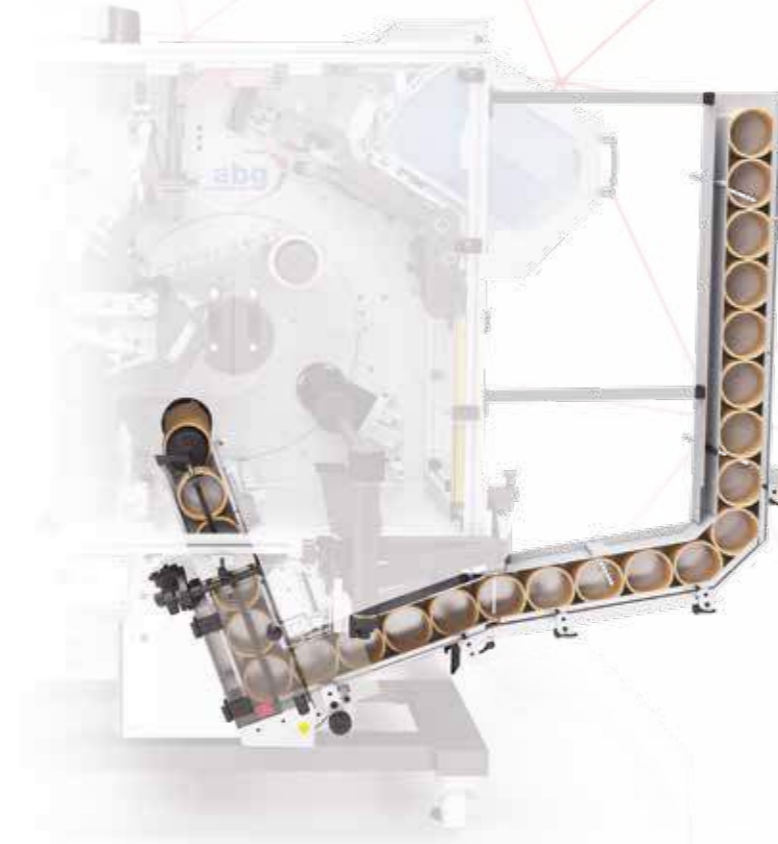
SLITTING MODULE

For running in line with a press, a standalone slitting unit is available with a web guide and turn bar.



COMPACT UNWIND

Designed with a small footprint, this is ideal for operating the Vectra offline. The standard unit comprises 1,000mm diameter cantilevered braked unwind, integral roll lift, electronic web guide, adjustable splice table and clamps, and auto lift scissor slitting unit with 5 sets of rotary knives.



CORELOADER

Using the latest servo technology, this automatic Coreloader enables cores to be positioned onto the rewind shaft accurately. Complete with storage tower, it is also capable of positioning the core onto the rewind shaft with a space between each core, essential for certain substrates.



BOWL FEEDER

By using this vibrating bowl feeder connected to the automatic core loader, operation times are significantly reduced. Also available as a high speed model.



Service & Support

Our business's success depends upon the capability and reliability of our machines and we understand that your business's reputation does too. It is why we put so much effort into getting things right, first time, every time.

It's essential of course that each machine and every component is fit for purpose and reliable, having been tried, tested and refined. This enables our customers to trust our equipment and go on, in large numbers, to invest in more.

However, parts can wear out over time and all equipment must be regularly serviced to ensure the best output. And, occasionally, things can go wrong. When the worst happens, it's incredibly important to have a responsive, understanding service partner that can get you back up and running as soon as possible.

We believe that you can tell the quality of any business by the way it deals with problems. Our customers tell us that we are the best. With service teams ready to help across the globe, and an extensive stock of spare parts for almost every piece of equipment we have ever built, we are ready and able to help.

So confident are we in the effectiveness and reliability of our equipment, that we offer a comprehensive one-year parts and labour guarantee. We provide this service through our wholly owned companies in the UK, Germany, USA, France, Holland and Spain. Elsewhere, aftersales support is delivered by our distribution partners.

Contact us

UK Office

Lancaster Road,
Carnaby Industrial Estate,
Bridlington,
YO15 3QY, England

Tel: + 44 1262 671138

Email: info@abgint.com

Website: www.abgint.com

